

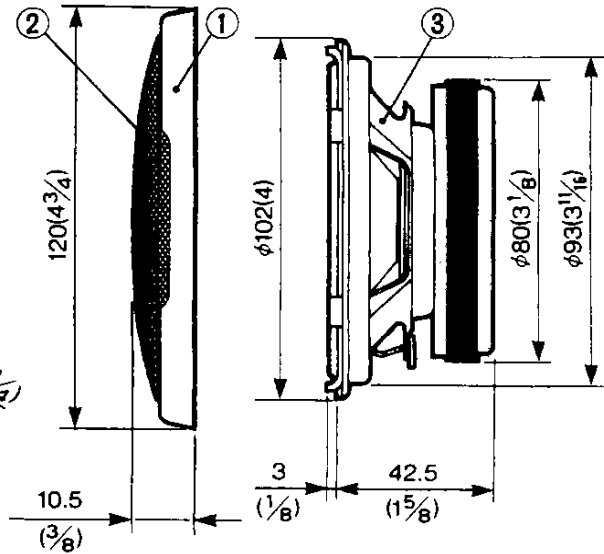
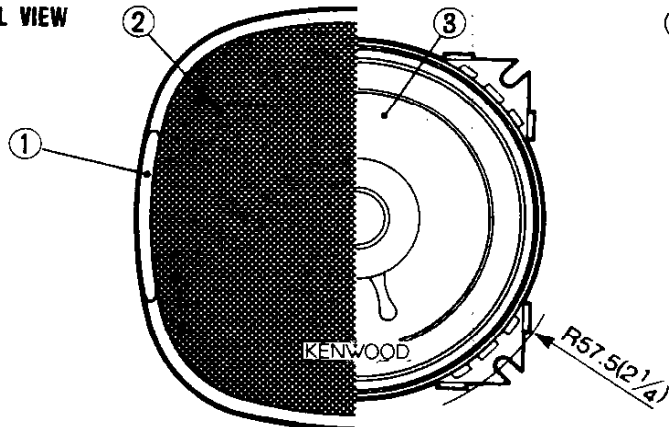
KFC-103X

SERVICE MANUAL

KENWOOD

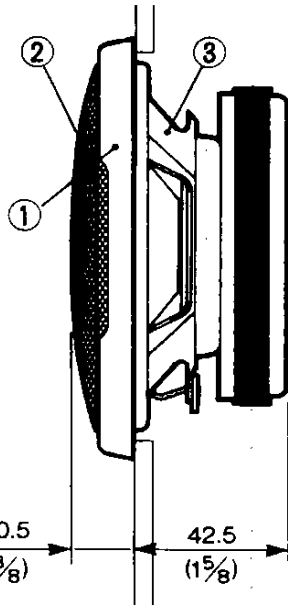
©1988-12 PRINTED IN JAPAN
B51-3766-00(B)1108

EXTERNAL VIEW






UNIT: mm (inch)

Q.C.
COPY



UNIT: mm (inch)

PARTS INCLUDED

-  3m(10ft) X 2
-  phi 4-20(3/16-1/8) X 8
-  X 8

SPECIFICATIONS

- Speaker 10cm(4in) Water proof treatment cone type
- Peak power 45 Watts
- Frequency Response 60Hz ~ 20,000Hz
- Sensitivity 90dB/W at 1m
- Impedance 4 ohms
- Weight per speaker with grille 0.55kg(1lb 3oz)/pc

We follow a policy of advancements in development.
For this reason specifications may be changed without notice.

PARTS LIST

★ New parts
Parts without Parts No. are not supplied.
Les articles non mentionnés dans le Parts No. ne sont pas fournis.
Teile ohne Parts No. werden nicht geliefert.

| Ref No. | New Parts | Parts No. | Description |
|---------|-----------|-------------|---------------|
| ① | ★ | B06-0319-08 | FRONT GRILLE |
| | | B46-0100-10 | WARRANTY CARD |
| | ★ | E30-1238-08 | CORD SET |
| ② | | F09-0889-08 | PROTECTOR |
| | ★ | N99-1088-08 | SCREW SET |
| ③ | ★ | T07-0145-08 | SPEAKER |